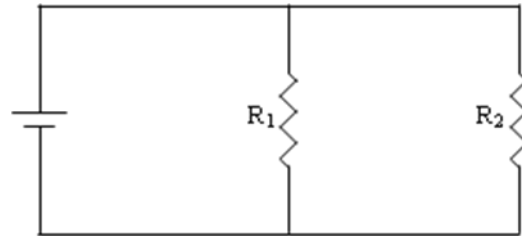


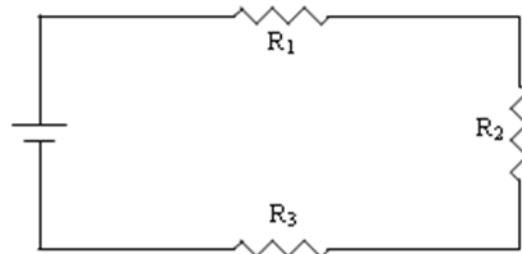
Physics: DC Circuits

Directions: Refer to the diagrams to properly complete each table. Use the correct unit for each table entry.

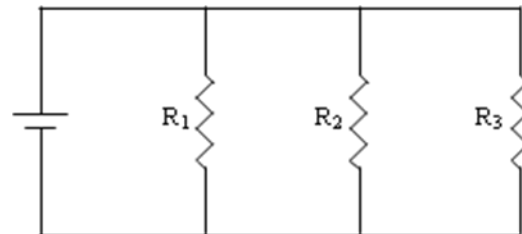
#1	V	I	R	P
Battery	12 V			
R ₁			2 Ω	
R ₂			4 Ω	



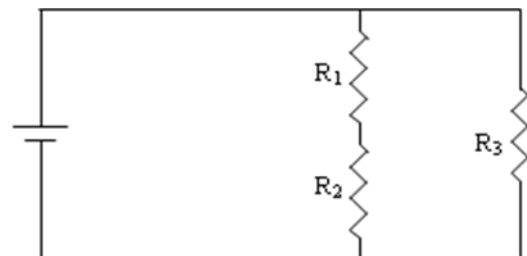
#2	V	I	R	P
Battery				
R ₁		2 A	4 Ω	
R ₂			6 Ω	
R ₃			8 Ω	



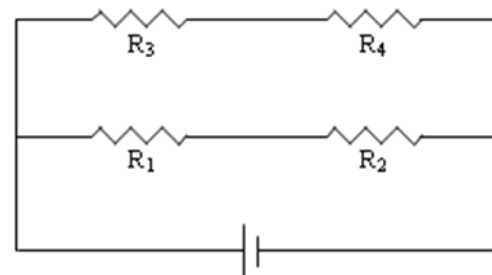
#3	V	I	R	P
Battery				
R ₁		2 A		
R ₂		3 A	12 Ω	
R ₃		1 A		



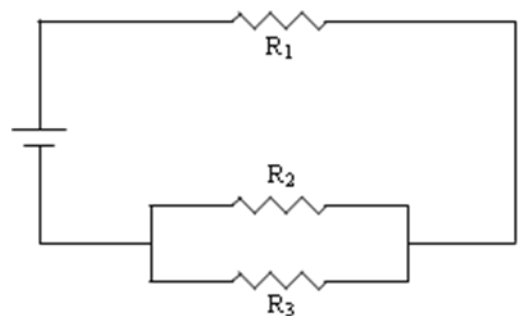
#4	V	I	R	P
Battery	12 V	2 A		
R ₁			6 Ω	
R ₂			4 Ω	
R ₃			15 Ω	



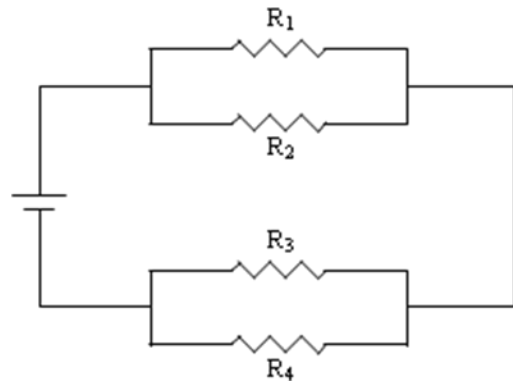
#5	V	I	R	P
Battery	50 V	5 A		
R ₁		2 A		
R ₂	25 V			
R ₃	10 V			
R ₄		3 A		



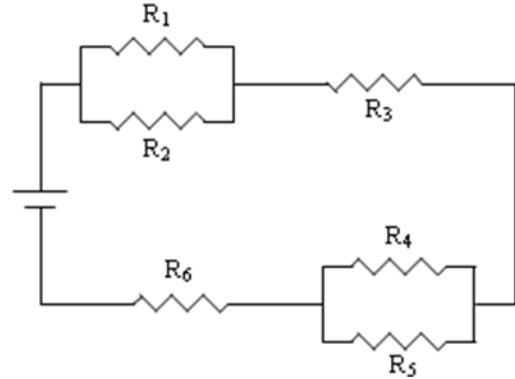
#6	V	I	R	P
Battery	24 V			
R ₁	8 V			
R ₂		4 A		
R ₃		2 A		



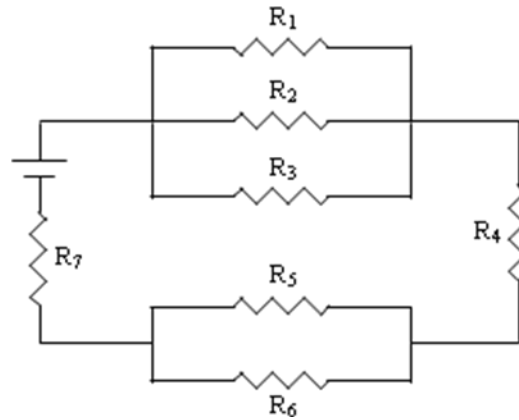
#7	V	I	R	P
Battery				
R ₁	12 V		2 Ω	
R ₂			4 Ω	
R ₃	24 V		4 Ω	
R ₄			8 Ω	



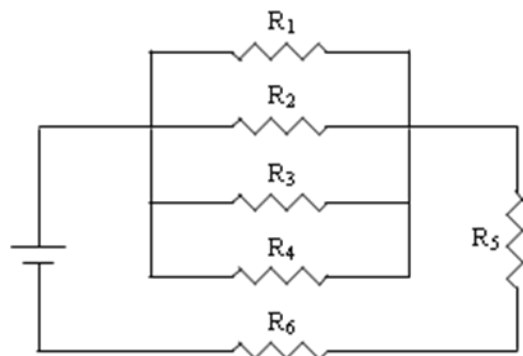
#8	V	I	R	P
Battery	30 V			
R ₁	6 V	3 A		
R ₂		2 A		
R ₃			3 Ω	
R ₄		1 A		
R ₅	8 V			
R ₆				



#9	V	I	R	P
Battery		12 A		
R ₁				
R ₂	18 V	2 A		
R ₃			3 Ω	
R ₄			4 Ω	
R ₅			2 Ω	
R ₆		8 A		
R ₇	6 V			



#10	V	I	R	P
Battery				
R ₁			20 Ω	
R ₂	10 V			
R ₃			4 Ω	
R ₄		1 A		
R ₅		5 A	5 Ω	
R ₆			6 Ω	



#11	V	I	R	P
Battery	2000 V			
R ₁			10 Ω	
R ₂			25 Ω	
R ₃			30 Ω	
R ₄			40 Ω	
R ₅			50 Ω	
R ₆			35 Ω	
R ₇			15 Ω	
R ₈			60 Ω	
R ₉			300 Ω	
R ₁₀			100 Ω	

